



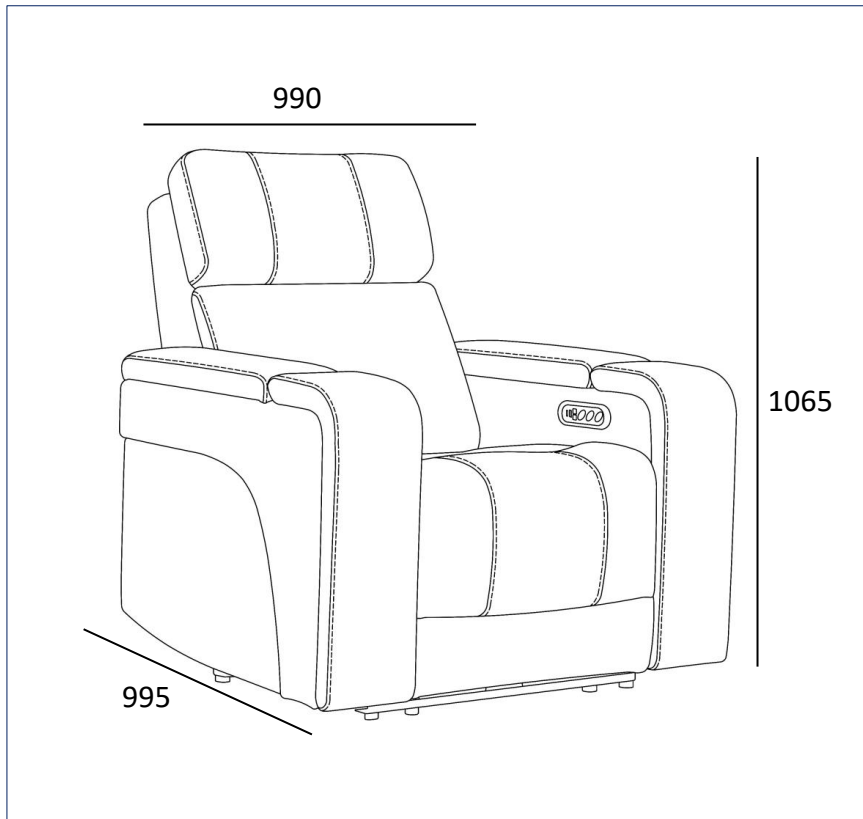
ASSEMBLY INSTRUCTION

LAS VEGAS FABRIC MEDIA ELECTRIC RELCINER

ITEM CODE 86539

Imported by Amart Furniture Pty Ltd, Qld, Brisbane Australia.

For any assistance with assembly or for missing parts please phone Amart Furniture, Customer Service Free call 1800 351 084



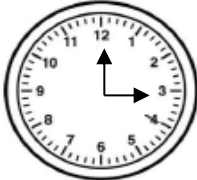

Imported by Amart Furniture Pty Ltd, Qld, Brisbane Australia.

For any assistance with assembly or for missing parts please phone Amart Furniture, Customer Service Free call 1800 351 084

PRE-ASSEMBLY PREPARATION

Before you start:

1. Choose a clean, level, spacious assembly area. Avoid hard surfaces that may damage to the product
2. Take care when lifting. Product should be assembled as near as possible to the point of use
3. Ensure that you have all required contents for complete assembly
4. Always read the assembly instructions carefully before beginning assembly.
5. Keep all hardware parts and packaging out of reach of small children.
6. Do not over tighten the screws and bolts as this may damage the threads

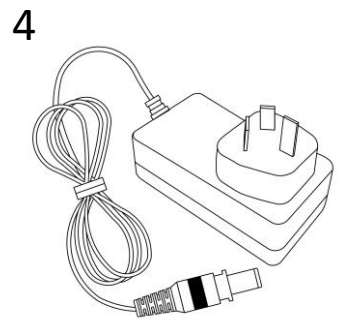
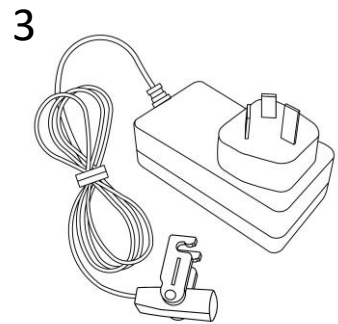
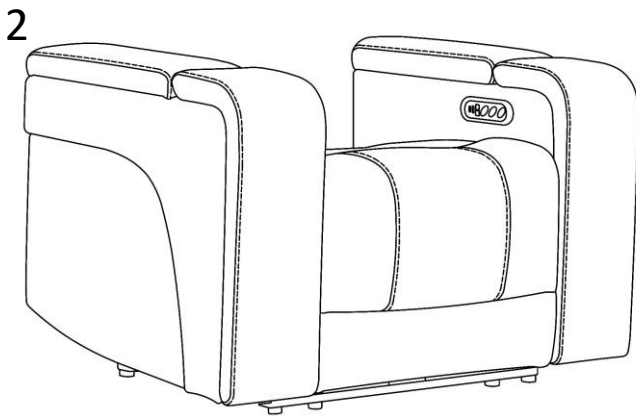
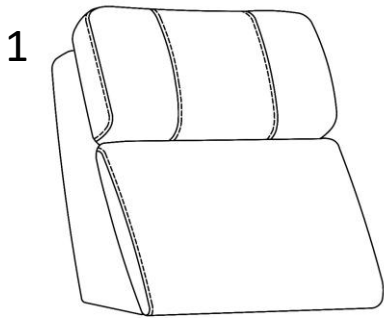
	
ALLOW 15 MINUTES	PEOPLE REQUIRED
NO TOOLS REQUIRED	
ADDITIONAL TOOLS REQUIRED	

WARNING

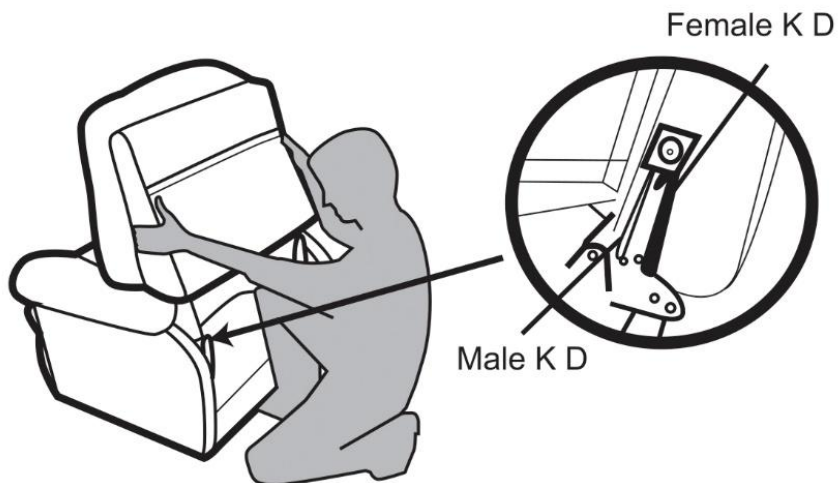
- Do not allow children to play on this mechanised furniture or operate the mechanism. Leg rest folds down on closing so that a child could possibly be injured. Always leave it in an upright and closed position. Keep hands and feet clear of mechanism. Only the occupant should operate it.

PARTS LIST

1	BACKREST
2	RECLINER SEAT
3	WALL PLUG
4	MEDIA WALL PLUG

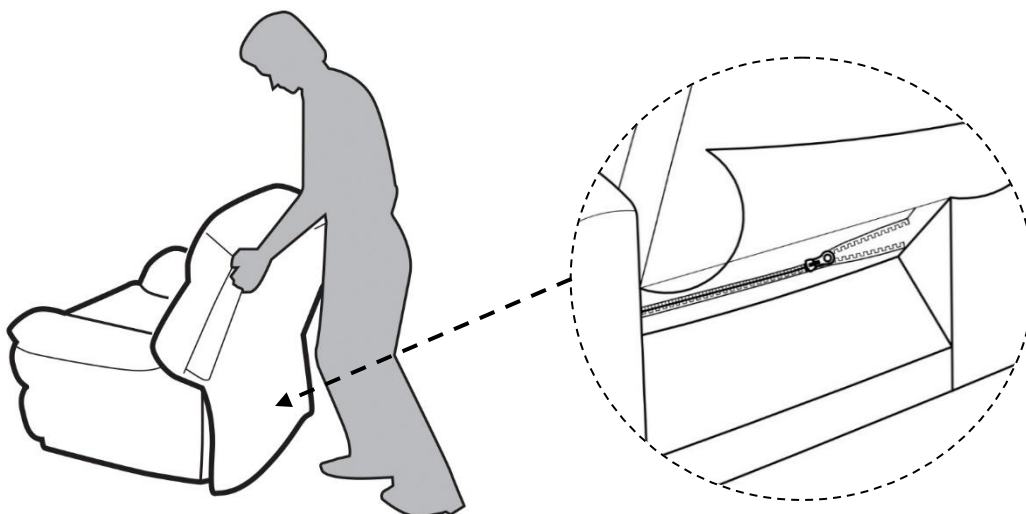


STEP 1:



1. Rest the back frame on the arms of the chair.
This will give you a good view of the male and female KD bracket.
2. Insert male KD bracket into the female KD bracket on one side to a depth of 5-10mm.
3. While keeping the backrest leaning forward, insert male KD bracket of the other side into female KD bracket to 5-10mm.

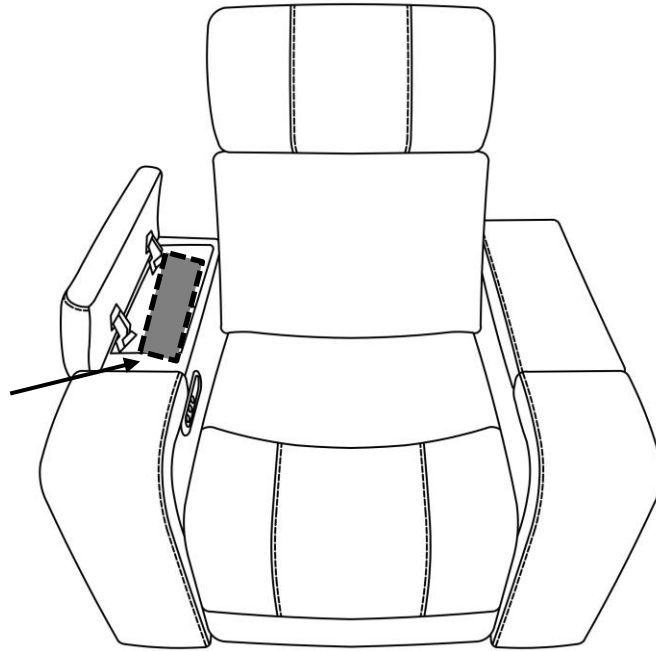
STEP 2:



1. Straighten the backrest to a vertical position and lower the backrest evenly on both sides to the position that rest on the top edge of the lock.
2. Push down evenly on both left and right side of the backrest.
3. Aligned back cushion between seat base and zip until the end.

STEP 3:

Boxes hold power wall plug
& media wall plug



1. Open the right armrest storage.
2. Inside are two boxes containing power wall plug and media wall plug.

STEP 4:

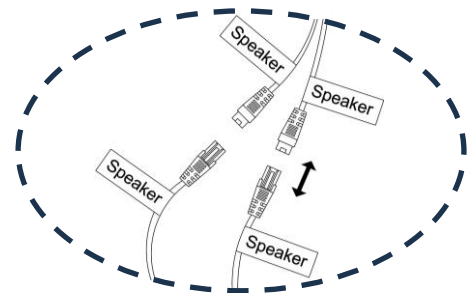
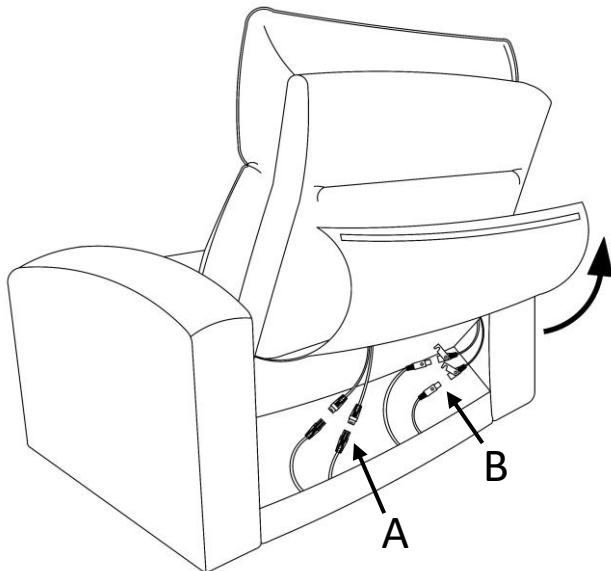


Figure A

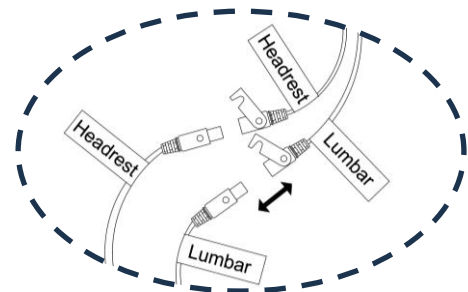


Figure B

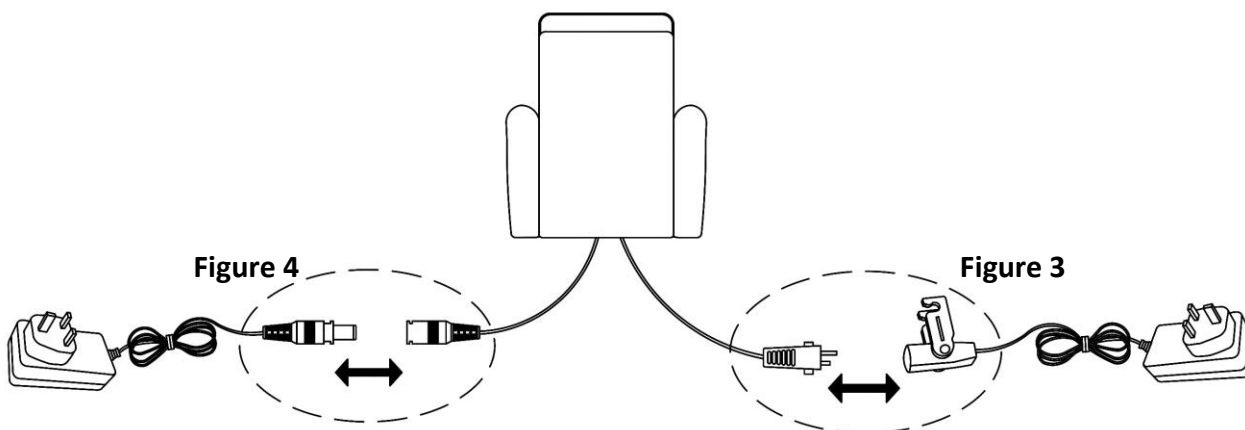
1. Connect speaker plug from chair back to chair base and lock together. (Figure A)
2. Connect headrest & lumbar plug from chair back to chair base and lock together. (Figure B)

STEP 5:



1. Pull the bottom of the back cover to the base of the chair and fix it along the Velcro.

STEP 6:



1. Connection with power cable, power plug(Figure 3) and media power plug(Figure 4).

IMPORTANT NOTE:

PLEASE ENSURE THAT ALL ELECTRICAL CORDS AND CABLES ARE CLEAR OF THE FRAME AND MECHANISM. FAILURE TO DO SO MAY SEVER YOUR POWER CORD RESULTING IN SERIOUS INJURY OR DEATH.

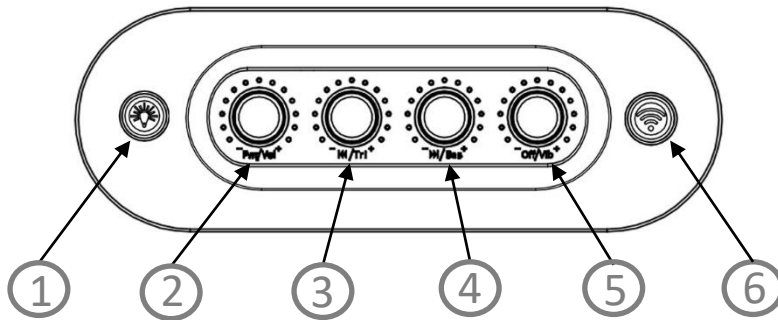
SAFETY NOTE:

WARNING! AVOID POTENTIAL EQUIPMENT DAMAGE OR ELECTRIC SHOCK! DO NOT PLACE THE TRANSFORMER UNDER OR WITHIN THE RECLINER STRUCTURE.

DO NOT COVER THE TRANSFORMER. KEEP IT IN AN OPEN, WELL-VENTILATED AREA FREE FROM FOREIGN MATERIAL/DEBRIS TO ENSURE PROPER OPERATION.

STEP 7:

Refer to below diagram on how to use the media console.



Basic Operation

1. Connect the power Adapter:
 1. Plug the DC connector of the power adapter into the product's power port.
 2. Plug the AC connector into a 110V-240V power port.
2. Important:
 1. Always ensure your hands are dry when connecting the power.
 2. Unplug the unit from the mains if it is not going to be used for an extended duration.
 3. Never pull the power cord to disconnect it.

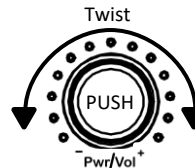
1 Lighting Strip Control

Tap once: Switch between lighting modes
(Includes 7-color auto cycle or manual color switch)
Long-press: Turn lighting off
1-hour auto shutdown built-in



2 Power / Playback / Volume

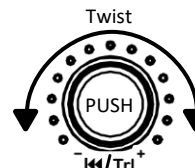
Long-press (3 seconds): Turn the device on or off
Tap once: Play or pause music
Turn clockwise: Turn up the volume
Turn counterclockwise: Turn down the volume



*This dial also operates as a button.

3 Previous Track/Treble Control

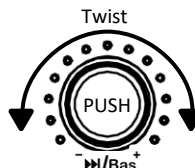
Tap once: Play previous song
Turn clockwise: Turn up the treble
Turn counterclockwise: Turn down the treble



*This dial also operates as a button.

4 Next Track/Bass Control

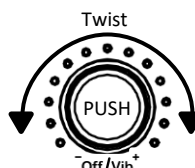
Tap once to skip to the next song
Turn clockwise: Turn up the bass
Turn counterclockwise: Turn down the bass



*This dial also operates as a button.

5 Vibration Control (Bass-Linked)

Tap once: Activate or deactivate vibration
Turn clockwise: Increase vibration
Turn counterclockwise: Decrease vibration
Comes with a built-in **3-hour timer**



*This dial also operates as a button.

6 Wireless Connectivity Modes

Host mode

Your device acts as the main unit, sharing audio and sync signals with others.

After power-up, the **power button light blinks** — Bluetooth is ready, Open the Bluetooth settings on your phone and search for **AMART 1S ISS**.

Once paired, power and network buttons turn **solid blue**, signaling active **broadcast mode**.

Paired secondary devices will sync to audio from the host.

To stop broadcasting:

-**Tap the host's Bluetooth button**. Its light will turn off, and nearby devices will enter receiver mode (green light flashing).

To resume broadcasting:

-Tap the same button again — lights return to solid blue.

To disconnect Bluetooth:

-**Long-press the host Bluetooth button (3 seconds)**. The power button light resumes blinking (Bluetooth ready), Bluetooth button light up.

Receiver mode

The device syncs to a nearby host and mirrors its audio.

Tap the Bluetooth button to enter receiver mode.

Bluetooth button flashes green — now searching for a host.

Once paired, Bluetooth light turns **solid green**.

To exit receiver mode:

-Tap the Bluetooth button — power button flashes blue, Bluetooth button light turn off, and Bluetooth will wait for pairing.

If no host connection is made within 30 minutes, the device shuts off automatically.



Bluetooth Button

Safety Warnings

- For Children:** Children under 13 require adult supervision when using this product.
- Moisture Alert:** If the device gets wet or exposed to humidity or moisture, unplug it immediately and let it dry completely before using again.
- Do Not Disassemble:** To avoid electric shock or burns, do not open or attempt to repair the device.

Troubleshooting

Problem: Device won't turn on

- Possible Causes:**
- Power is not connected.
 - Cable is disconnected.
 - Product damage (contact the dealer).

Problem: No response to touch

- Possible Causes:**
- Disconnect the power for 15 seconds and reconnect.
 - Product damage (contact the dealer).

Problem: Bluetooth connection failure

- Possible Causes:**
- Disconnect other paired devices and try again.
 - Restart the product and reconnect.
 - Stay within 5 meters of the device and avoid obstacles.
 - Ensure the distance between host and slave is no more than 10 meters.

Problem: No sound

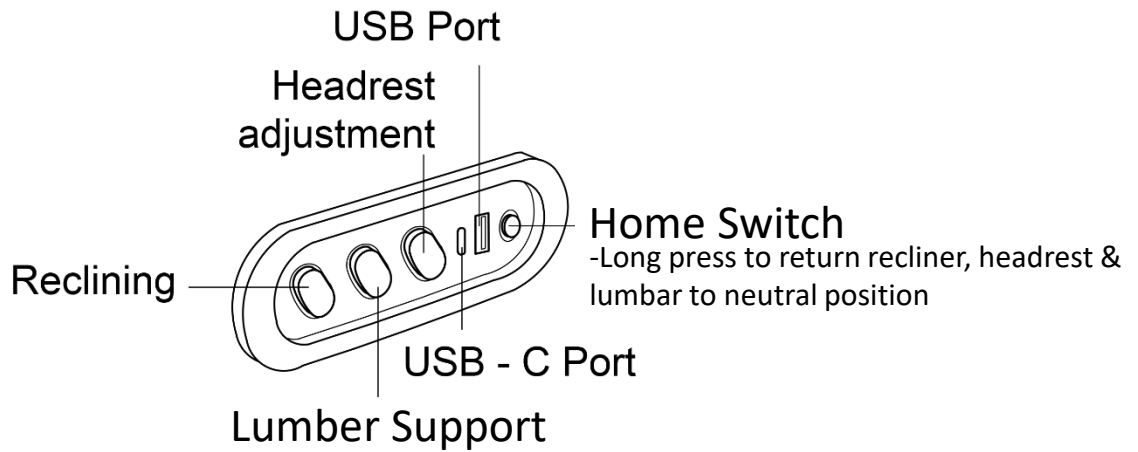
- Possible Causes:**
- Volume is too low. Increase the volume.
 - Cable is disconnected. Reconnect the cable.
 - Speakers are damaged (contact the dealer), turn up audio on smart device if in use.

Problem: USB/Type-C charging issue

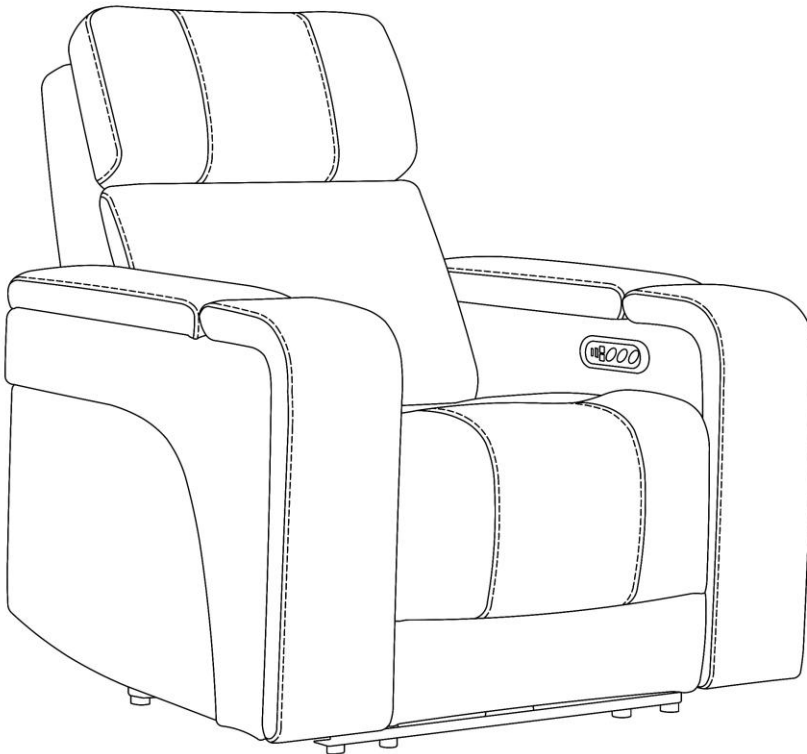
- Possible Causes:**
- The port is not properly connected. Reinsert the cable.
 - The port is damaged (contact the dealer), potential issue with device.

STEP 8:

1. Your sofa should now recline.
2. Refer to below diagram on how to use the switch.



ASSEMBLY IS COMPLETE



READ THESE INSTRUCTIONS THOROUGHLY BEFORE USE:

DANGER: TO REDUCE THE RISK OF ELECTRIC SHOCK:

Always unplug from electric outlet before cleaning.

Always place transformer well away from recliner mechanism base.

WARNING: RISK OF INJURY

Keep children away from extended footrest and any moving parts.

CAUTION: Do not allow children to play on this electric recliner or operate the powered mechanism.

The leg rest folds when closing and could possibly cause injury to a child.

Always leave the recliner in an upright and closed position when not in use.

Keep hands and feet clear of mechanism. Only the occupant should operate it.

Keep pets away from underside of recliner.

POWER CORD SAFETY

WARNING: Unplug and remove power cord from wall when not in use and store out of reach of children.

Take care when moving recliner that wall and transformer cords are not under the base or they may get damaged.

NEVER OPERATE ELECTRIC RECLINER IF IT HAS A DAMAGED CORD OR PLUG.

WARNING: TO REDUCE RISK OF BURNS, FIRE, ELECTRIC SHOCK OR PERSONAL INJURY TO

PERSONS:

- Use only for its intended purpose.
- Never press or activate control switch if you are not seated in recliner.
- Only the occupant should activate the control switch.
- Never operate with more than one person occupying seat.
- Never sit or stand on the footrest.

READ THESE INSTRUCTIONS THOROUGHLY BEFORE USE:

It is crucial to handle your reclining sofa with care. Following the intended usage guidelines will ensure safety and product longevity.

Recliners have a metal mechanism base, with moving parts to allow reclining functions. These components are flexible but can be easily bent or twisted if subjected to excessive weight, improper use, or excessive motion.

Safety

Moving parts; particularly reclining mechanisms can be dangerous if used incorrectly:

- ALWAYS supervise children when they are around or on reclining furniture. Prevent them from operating the mechanism or playing on the recliner.
- Only the occupant should operate the recliner. When not in use, ensure it is returned to the lounges closed position.
- When closing the recliner-
- Always check underneath the mechanism to ensure that the footrests are folded down properly.
- Avoid placing hands and feet near the mechanism.
- Be mindful of children and pets, and the possibility of trapping items like clothing or blankets in the mechanism.

It is recommended that the closing motion be closed slowly.

General Care

It is crucial to use recliners carefully and in accordance with their intended design to maintain their structural integrity. Misuse of the reclining mechanism can lead to bending or bowing. All Amart sofas have a weight capacity of 120kg per seat.

- Always ensure that footrests are fully closed before entering or exiting the seat. Using the seat with the footrest open can damage the structure and is not the intended usage.
- While reclined, the footrests are designed to support the weight of a single person's feet. Excessive weight, especially from pets and children, can overload the mechanism and cause twisting and bowing.
- Avoid leaning on the sides of the recliner at any time. Reclining seats are designed to be sat on in the middle as the centre of the cushion provides structural support. Leaning over the sides of the seat can twist the mechanism.
- Ensure that when you close the mechanism that equal weight is placed on the centre of the footrest panel. Do not close from the edges of the recliner's footrest. This causes stress on the mechanism and leads to a broken and bent mechanism. This is not a manufacturing fault but a result of improper use.

Positioning your recliner

It is imperative that you ensure your recliner is positioned on a level surface to ensure its longevity.

Positioning your recliner on an unlevel or sloping surface can put additional strain on the internal components of your recliner.

The internal components of the recliner, such as the frame, levers, and hinges may experience increased stress if the recliner is constantly used on an uneven surface. Over time, this leads to premature wear and tear, affecting the recliner's durability, stability, and performance.

Additional issues that can impact electric recliners if positioned on an unlevel floor are as follows:

- 1. Motor strain** – The motor in an electric recliner is designed to operate under conditions where the load is evenly distributed. When the floor is not level, the motor works harder to adjust the recliner, leading to increased wear and tear over time.
- 2. Uneven Movement** – An electric recliner on an uneven floor may not operate smoothly or evenly. This can result in jerky movements, uneven reclining, or difficulty in adjusting the position, potentially causing discomfort for the user.

Moving your recliner?

- Always ensure that the recliner is upright when transporting.
- Moving or transporting reclining sofas can be challenging due to their weight, which includes the mechanism and frame. Always ensure there are at least two people to lift the weight properly and avoid dragging or dropping the recliner as it can cause bending and bowing of the mechanism.
- Do not pull your sofa by the cushions and fabric as this will result in tears and rips.

Product Care for Fabric Items

REGULAR CARE:

- Protect from direct sunlight
- Vacuum regularly using low suction
- Rotate reversible cushions regularly
- Avoid exposure to new clothing, cushions or throws as this may lead to dye transfer and permanent staining

CLEANING:

- Do not remove cushion covers for separate cleaning even though they may have zippers
- Do not wash, Do not dry clean, Do not shampoo clean
- Clean only with hot water extraction machine. Professional cleaning recommended
- Do not use dishwashing liquid or laundry detergent. Use only upholstery detergents
- Do not wet filling
- Dry in shade away from direct heat and sunlight
- Allow to dry thoroughly before re-use

SPOT CLEANING:

- Do not rub
- Do not spot clean with any solvent
- Treat spills and stains as soon as possible
- Gently scrape off any soil or blot any liquid from the surface of the fabric before applying cleaner
- Apply proprietary cleaning agents strictly according to instructions to remove the residue of the spill
- Do not saturate the fabric or interior with water or other cleaning liquids

WARNING:

Apply only water-based soil resist (fabric protection) treatments. Do not use aerosol products

* PILLING IS NOT A FABRIC DEFECT OR FAULT AND IS NOT COVERED BY WARRANTY

* PILLING IS A NORMAL OCCURRENCE IN WOVEN FABRICS AND DOES NOT AFFECT THE DURABILITY OR FUNCTIONALITY OF THE FABRIC. IT IS EASILY REMOVED BY USE OF A BATTERY OPERATED DE-PILLING MACHINE AS THE NEED ARISES

General Product Care

To protect your furniture, we suggest the following:

- Avoid placing your furniture in direct sunlight.
- Do not place furniture directly under windows.
- Do not place sharp materials (knife, fork, etc.) directly onto your furniture as sharp material may scrape and damage the finish.
- Do not place material with high temperature directly onto the surface of your furniture.
- Clean up spills quickly. Water left over a prolonged period of time may cause damage. Alcohol, perfume, nail polishes, aftershave and some medication may cause severe finish damage if not cleaned immediately.
- Use a clean, soft, dry, lint free absorbent cloth to clean your furniture. Do not use any detergent as they may contain ingredients that may react and damage the finish.